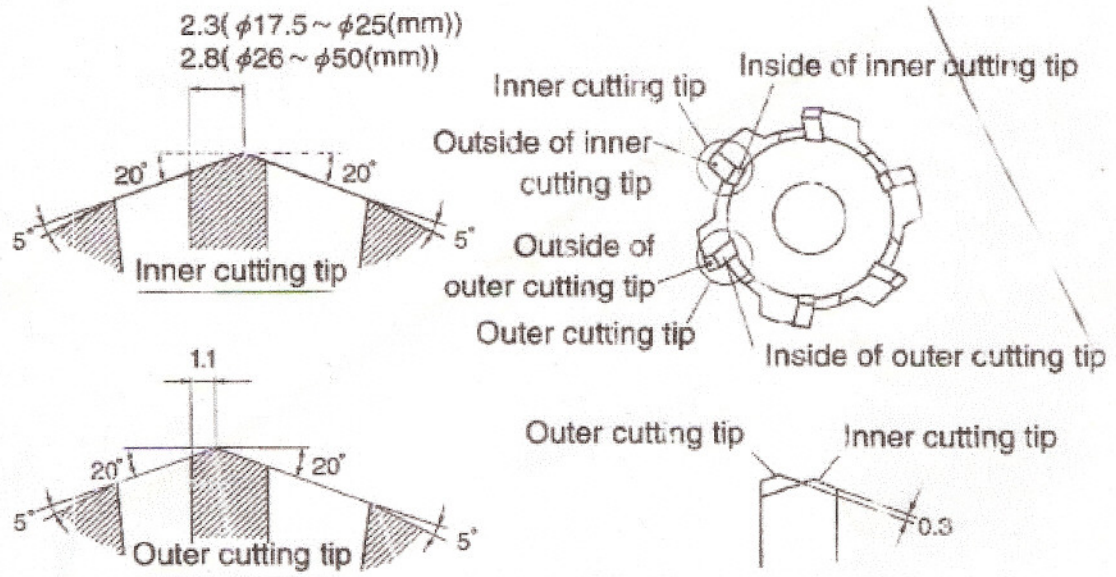


8-8 Jetbroach tool angles

Jetbroach tool angles are as shown in the figure.

(Fig. 40)



(Fig. 40)